

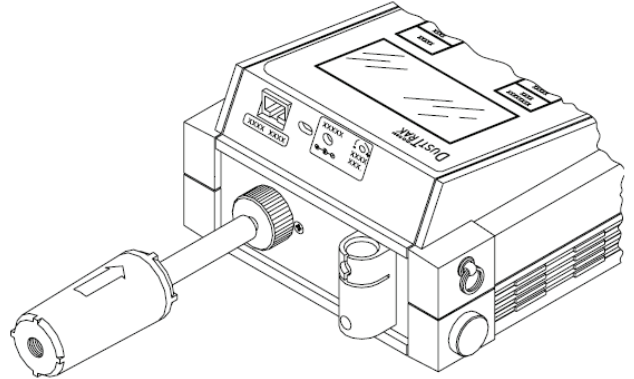
TSI DustTrak 8520 Quick Reference



**US Environmental
Rental Corporation**
Rentals • Sales • Service

Zero Calibration

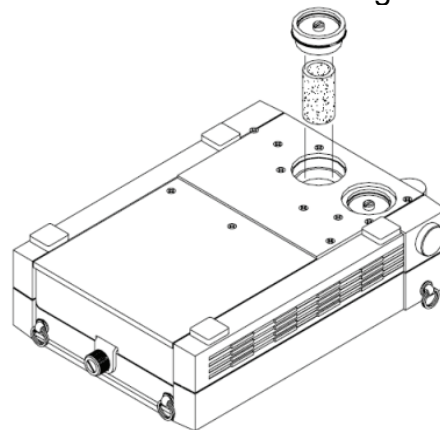
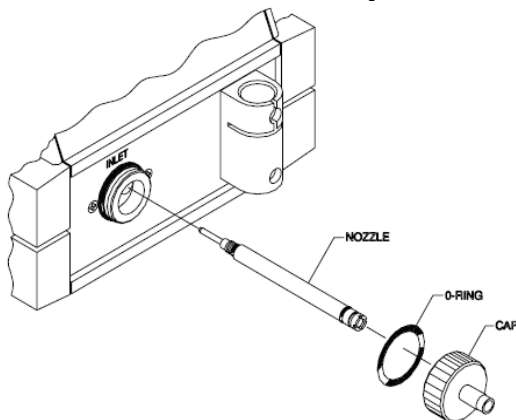
- Put zero filter on sample inlet.
- Press and hold **CALIBRATE** and release immediately when **0** is displayed.
- Press **SAMPLE** and wait for 60 second countdown.
- Upon completion press **CALIBRATE** and confirm reading.



Setting up a Test

- Press **SAMPLING MODE**. The screen will display LOG 1 and the percentage of memory available.
- The DustTrak can store up to 31,000 data points. If there is not enough memory available: 1) Connect to the TrakPro software and download your data, or 2) Press and hold **CLEAR MEMORY** and release immediately when **0** is displayed.
- Press and hold **LOGGING INTERVAL** to set the interval between each data point.
- Press **SAMPLE** to begin your Test. The unit will display the Test Number briefly and then begin logging.
- To end the test, press **SAMPLE**. Statistics from the completed test will display.

Cleaning / Maintenance: Make sure you are in a clean environment before following these steps.



- Remove sample inlet. Use tool to remove inlet port. Use other end of tool to pull sample tube.
- Use damp cotton swab to clean all parts and interior.
- Re-Assemble.
- Use flat screwdriver to unscrew filter caps. Remove caps and filters.
- Discard old filters and replace with new filters (provided).
- Re-Assemble.